

Alto 1

2-stage single motor 2-desk bench

HAFD121



Desktops sold separately

Features

Connect two Alto 1 desks back-to-back with foot joining bracket

Smooth height adjustment - no juddering

Simple, easy-to-use control panels

Advanced anti-collision safety system with adjustable sensitivity

Ultra quiet motors, lower than 50dB

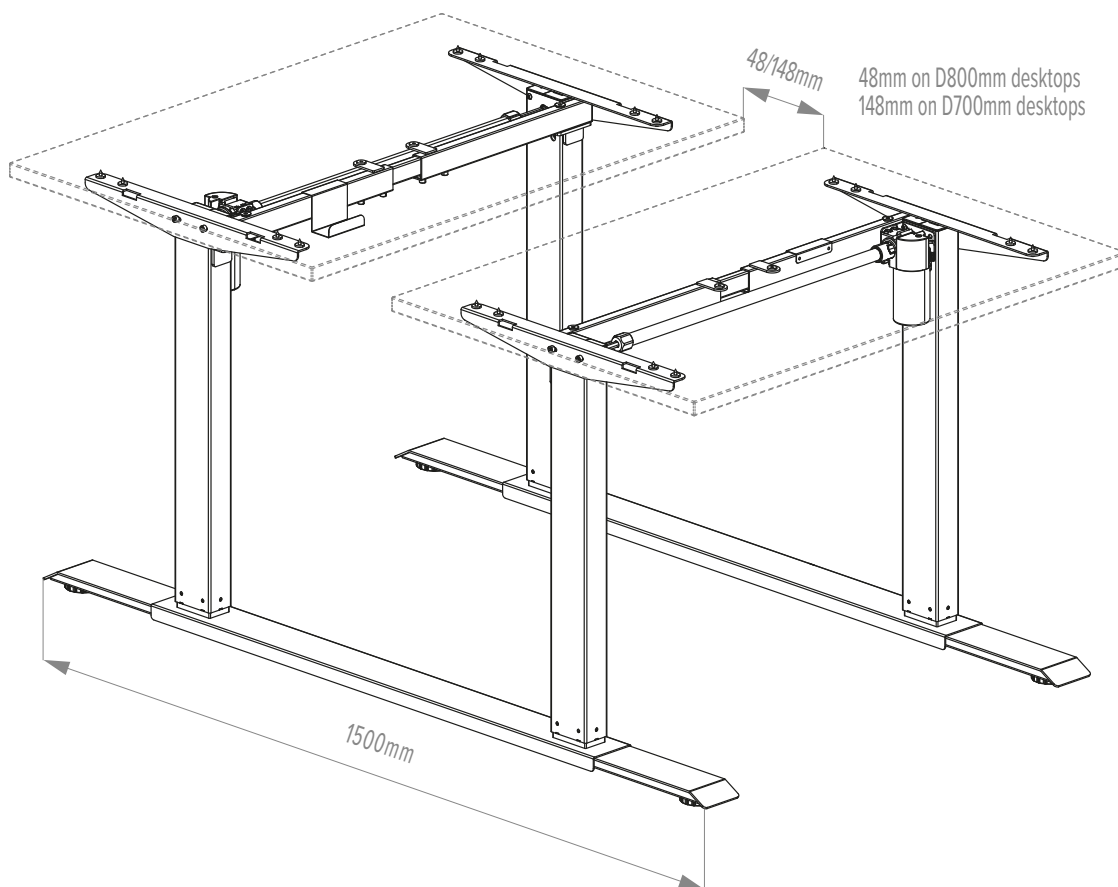
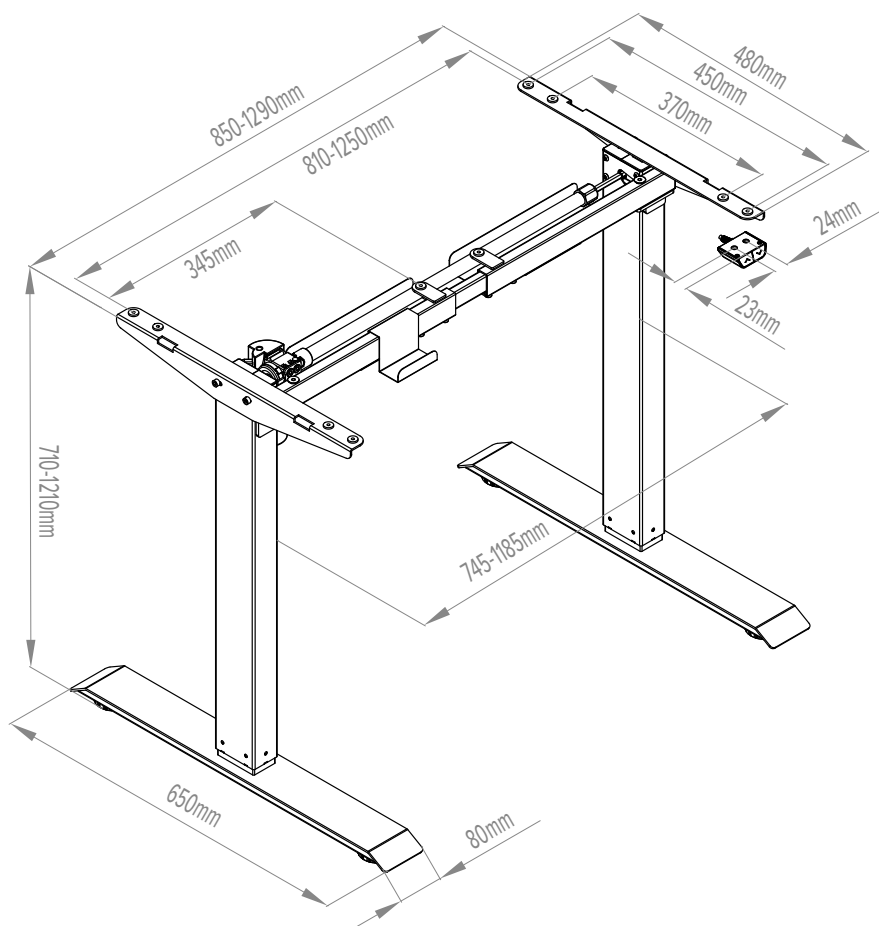
Easy to assemble

Available in black, white or grey

Frame	2 stage reversed rectangular columns
Frame Finishes	Black / White / Grey
Height range	710-1210 mm
Stroke length	500mm
Load capacity	154lbs / 70kg
Motor	Single motor, 25mm/s Anti-collision safety system
Power	100-240V (3.1m power cable)
Noise level	<50dB
Desktop capacity	W1000-1600 x D500-800 mm
Control panel	Height adjustment (up/down)
Warranty	5 years
Certification	CCC, CE-EMC, CE-LVD, GS, FCC, UL, CUL, RCM, C-TICK, SAA, KC, PSE
Boxed Dimensions (1) x 2 boxes	W830 x D280 x H160 mm
Boxed Weight (1) x 2 boxes	23kg each *Caution: Heavy*
Boxed Dimensions (2)	W1040 x D110 x H50 mm
Boxed Weight (2)	4kg



HAFD121



Acoustic fabric screens

Desktop divider screen / modesty panel

G4E033 / G4E015



FEATURES

- Certified sound absorption - class C
- Lightweight (lower desk load, easier to transport)
- Height-adjustable (except for Alto 2 2-desk benches)
- Visually attractive interior detail – possibility to combine 2 colours of fabric
- Option to reverse and fix screen from any side you want

QUALITY STANDARD

- LST EN ISO 354:2004
- LST EN ISO 11654:1998

TECHNICAL INFORMATION

Screen composition (42 mm)

- Frame made of 15x40 mm plywood;
- Central layer made of 10 mm polystyrene foam;
- Second layer is made of HR3030 10 mm foam from both sides;
- Third layer is made of VB2240 3 mm foam from both sides;
- Dowel pins combine two panels;
- Upholstered with 1 colour fabric or 2 colour fabric combination.



Height adjustment

(not available for Alto 2 2-desk benches)

- Screens are inserted into the fittings (154x124, H=74 mm);
- Pressed with screws to ensure stability;
- Fixed to the desktop.
- Screens can be raised / lowered to the preferred height;
- Only two screws must be tightened to ensure stability.

