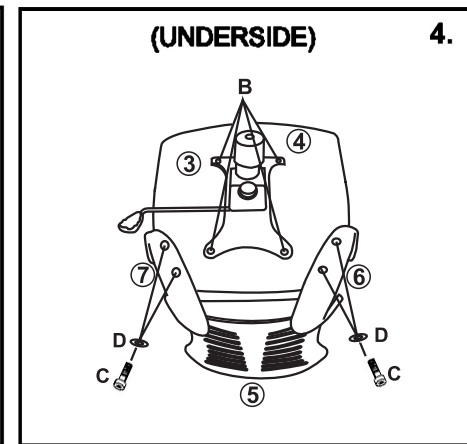
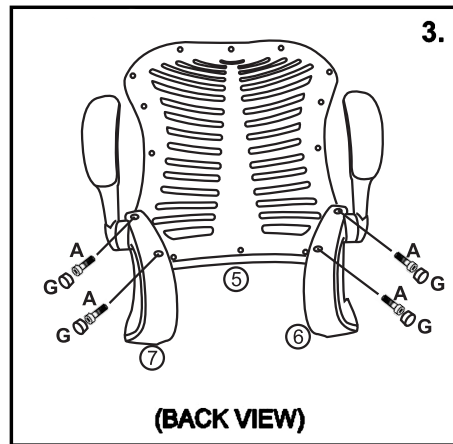
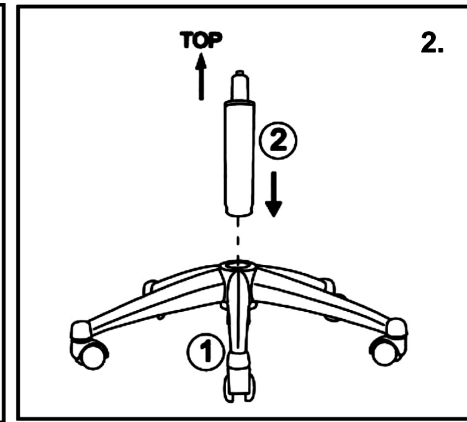
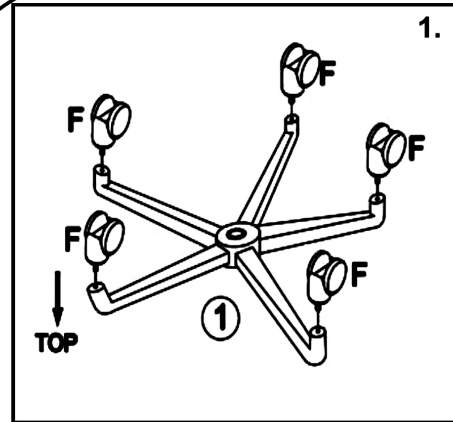
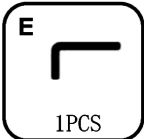
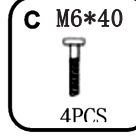
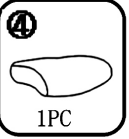
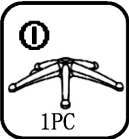


**MERCURY II**

Assembly Instructions

BCM/L1304

HOURLY USAGE:5-8HOURS



**WARNING**

USE THIS PRODUCT ONLY FOR SEATING ONE PERSON AT A TIME.  
DO NOT USE THIS CHAIR AS A STEP STOOL/LADDER.  
DO NOT SIT ON ANY PART OF THE CHAIR EXCEPT THE SEAT.  
DO NOT USE CHAIR UNLESS ALL BOLTS, SCREWS AND KNOBS ARE TIGHT.