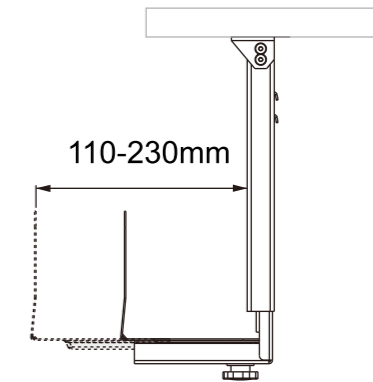
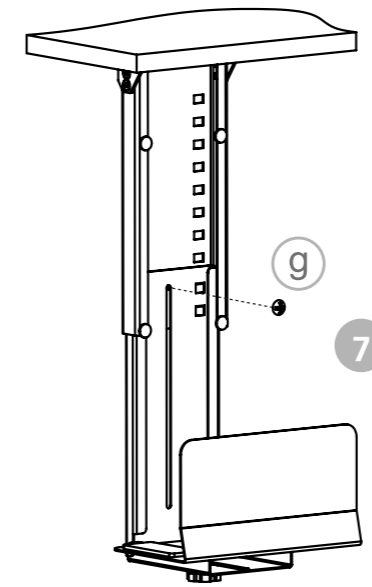
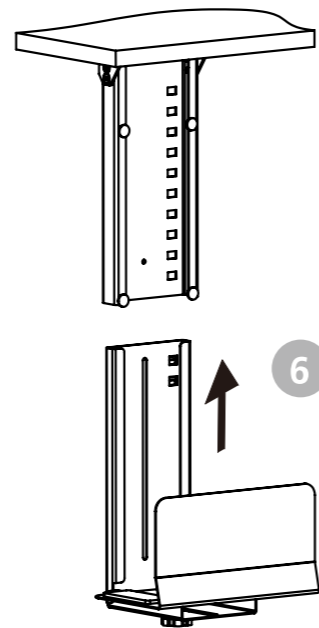
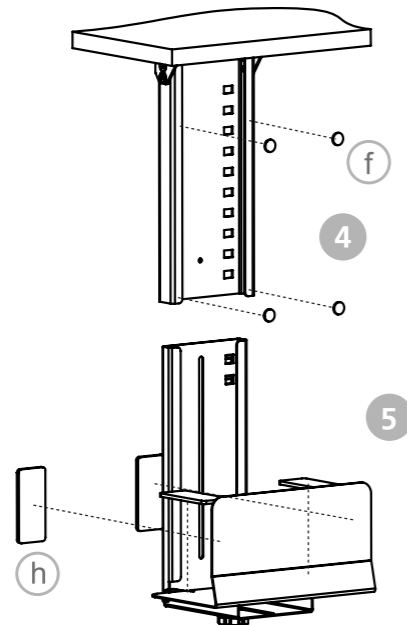
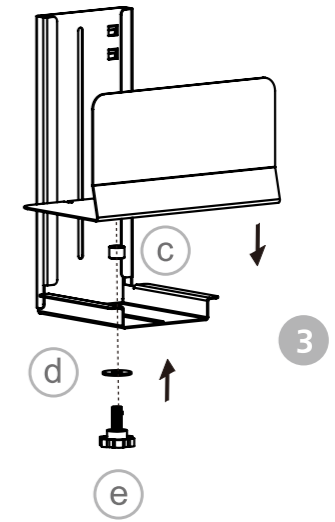
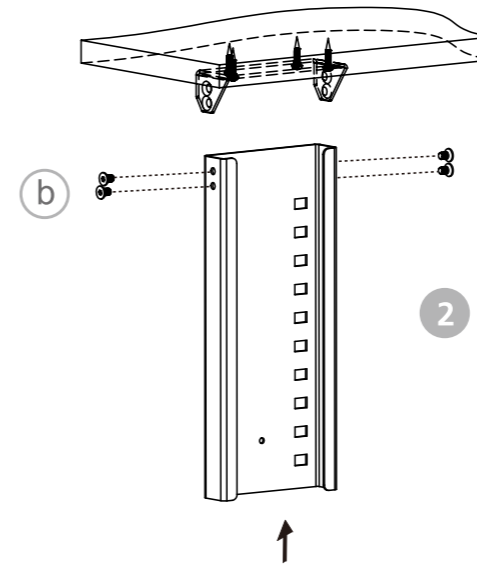
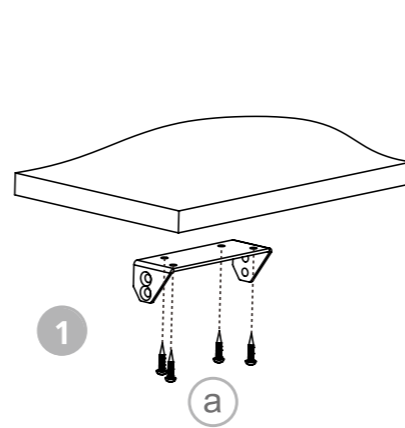
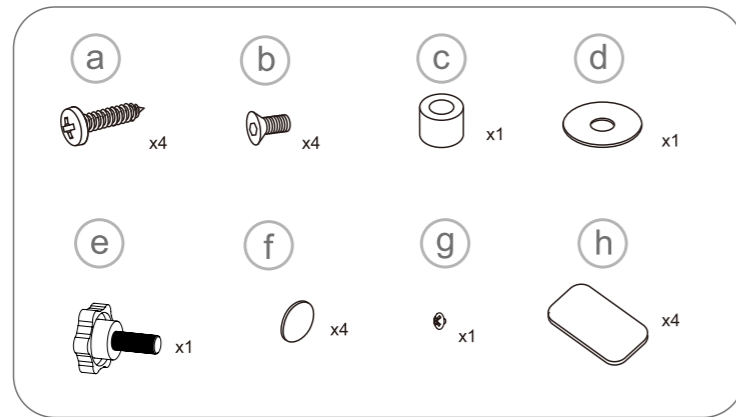


Code: CHF2311



Assembly Instructions

1. Mark position and screw bracket to desktop
2. Fit top slide to bracket
3. Fit horizontal gripper bracket to lower slide
- 4.-5. Stick on protective pads
6. Insert lower slide into top slide
7. Adjust to desired height for CPU and engage bottom slide hook into top slide, fit safety screw 'g', adjust horizontal grip to secure CPU into position.



METALICON

Dynamic. Expressive. Enduring.