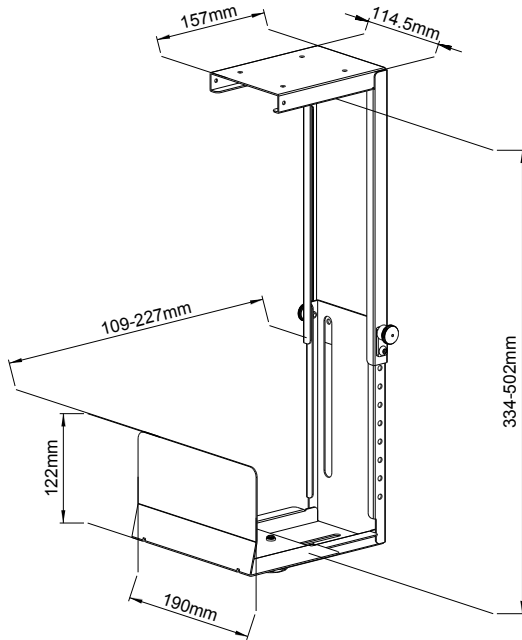


C2

Large CPU holder
CHF2311



Technical specifications

Weight	2.5kg
Capacities	300 - 500 mm adjustable height 110 - 230 mm adjustable width
Materials	Powder coated steel
Warranty	5 years

Boxed specifications

Dimensions	W410 x D165 x H165 mm
Weight	2.9kg
Outer	4 units
Weight	12kg

Features

- Designed for large CPUs
- Easy height adjustment with spring-loaded pin
- Soft grip pads prevent scratches
- Compatible with C9 adaptor (CHUST)
- Certified to severe structural standards
FIRA Test Method PP 050: 2009 - Severe Use
- Available in black, white or silver