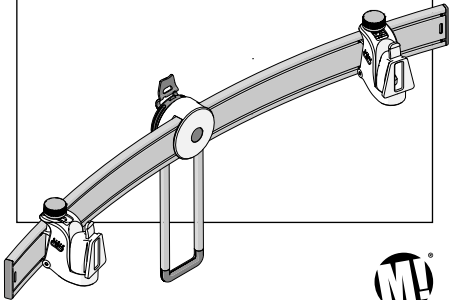
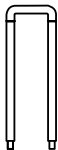


# Levo Twin Rail Setup Guide



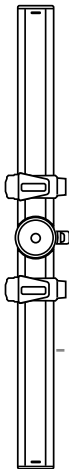
## IN THE BOX



'U' control handle



VESA mount bolts x 4



Twin rail

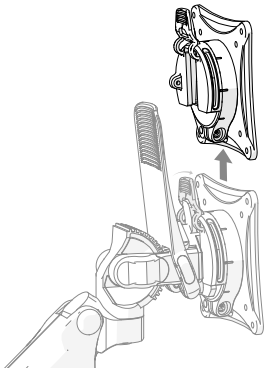


VESA plate

1

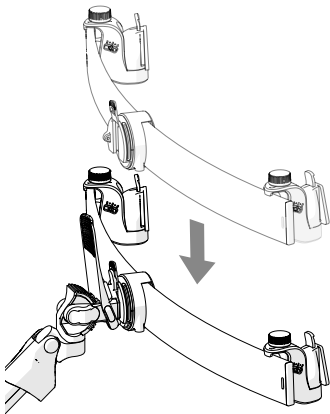
## Remove VESA plate from Levo arm

Push release button on VESA  
plate and slide upwards



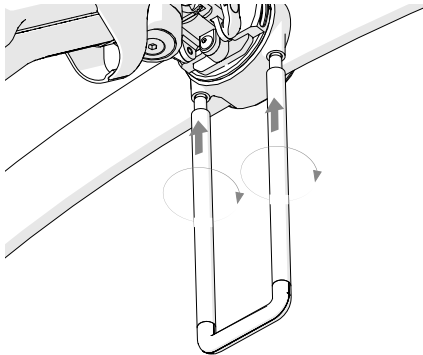
**2**

**Fit twin rail to Levo arm**



**3**

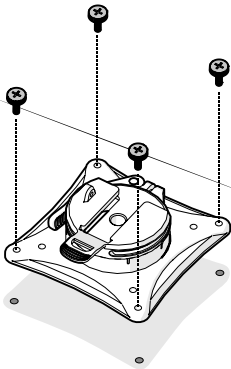
**Attach 'U' control handle to twin rail**



**4**

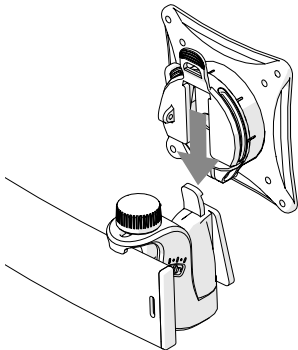
## **Attach VESA mount to monitor/screen with 4 x bolts**

Ensure the release button is at the top



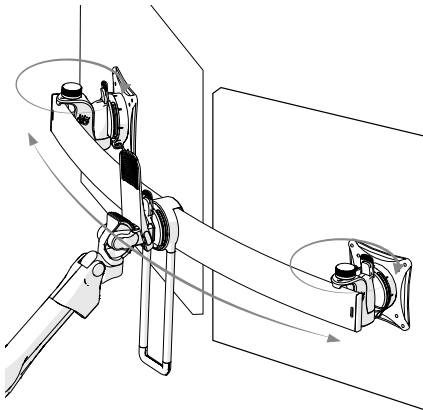
**5**

**Attach VESA mount x 2  
to rail**



**6**

## **Adjust monitor spacing**





Optional attachment  
**Laptop/tablet holder**

- For laptop or tablet
- Adjustable side supports from 225mm to 460mm
- Soft mounting pads
- Levo direct mounting
- Universal 75 x 75mm VESA fitting for all compatible monitor arms





Watch the install video  
[metalicon.com/install/levo](https://metalicon.com/install/levo)

For further help contact our support team:

+44 (0)1502 533 444  
[support@metalicon.com](mailto:support@metalicon.com)



**METALICON®**