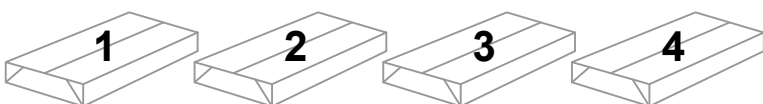
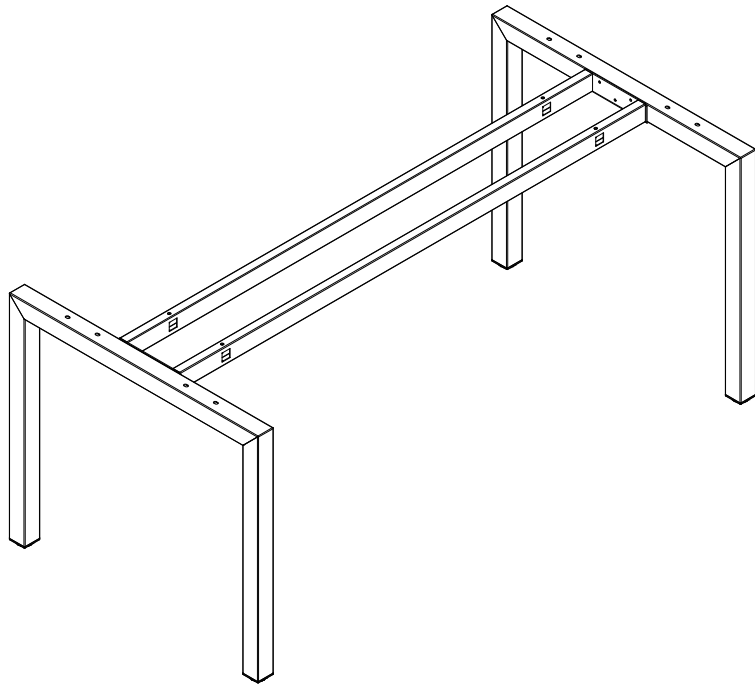
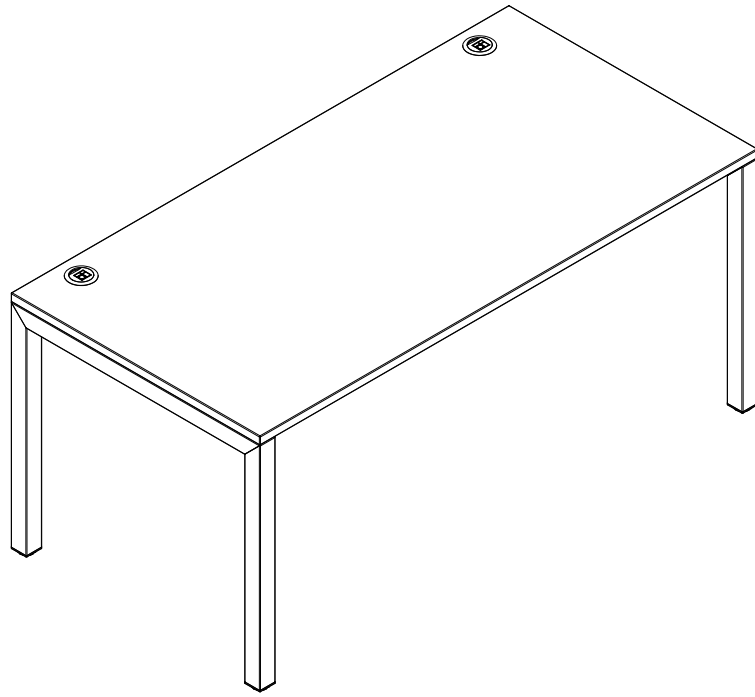


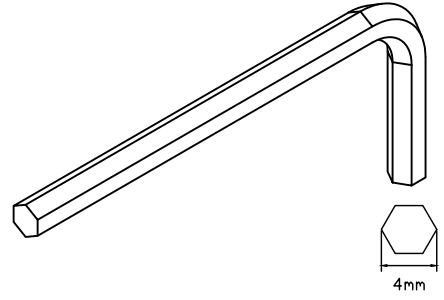
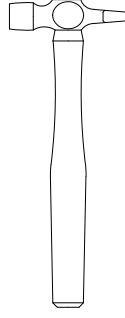
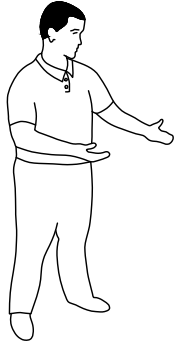


# COU800OL

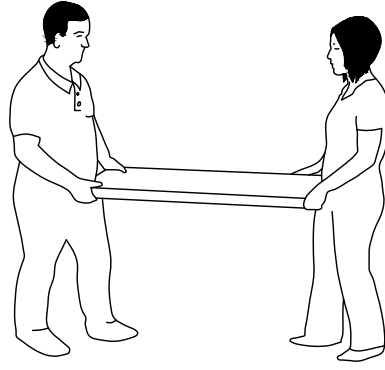
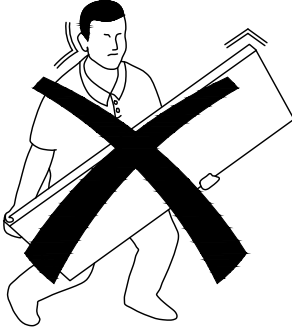
## Connex 800mm Outer Leg Frame



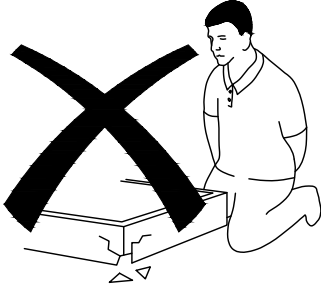
**TOOLS REQUIRED  
FOR ASSEMBLY**



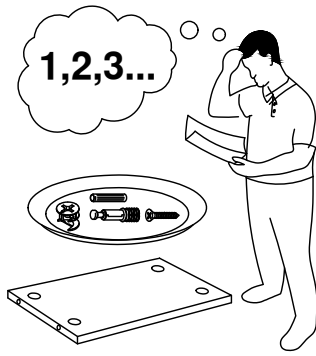
**DONT STRUGGLE  
2 MAN LIFT**



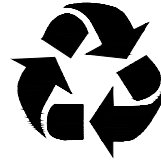
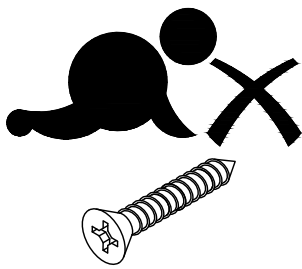
**ALWAYS HANDLE  
ITEMS WITH CARE**



**IF UNSURE CALL  
FOR ASSISTANCE**

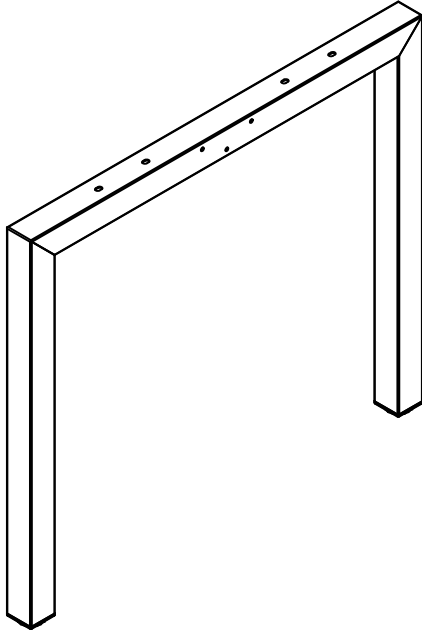
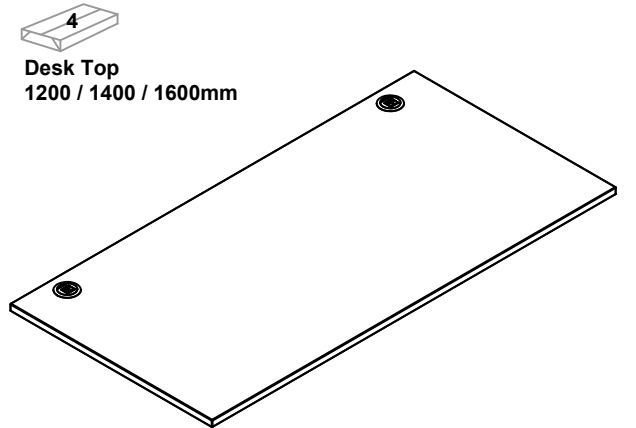
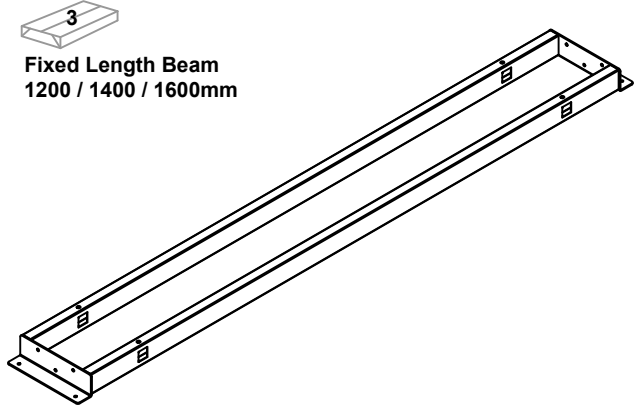
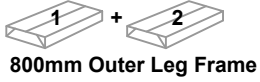


**KEEP FITTINGS AWAY  
FROM CHILDREN**

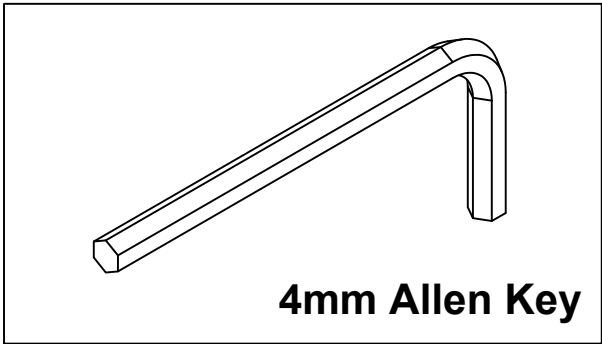
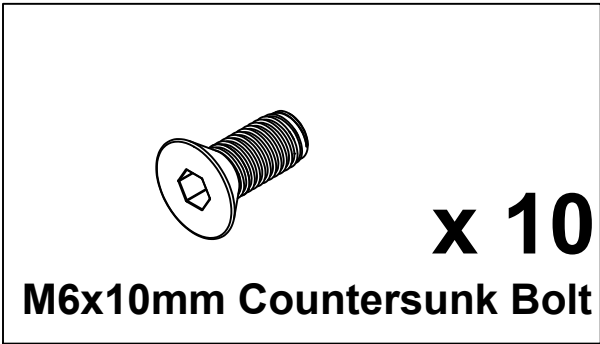
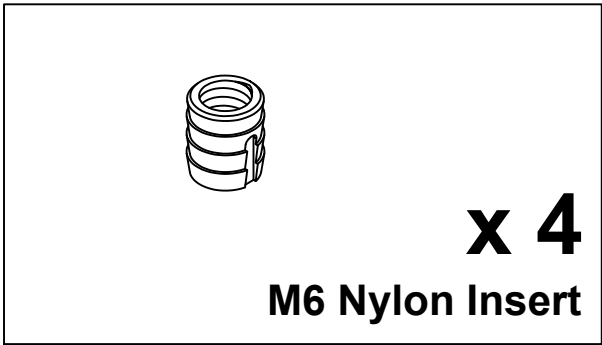
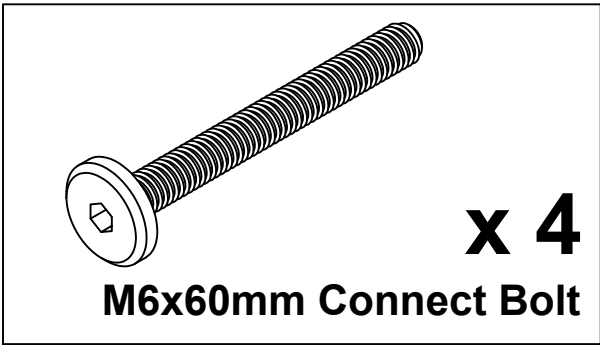




# Please check that you have all the Components!



# Please check that you have all the Fittings! (Fittings supplied with leg frames)



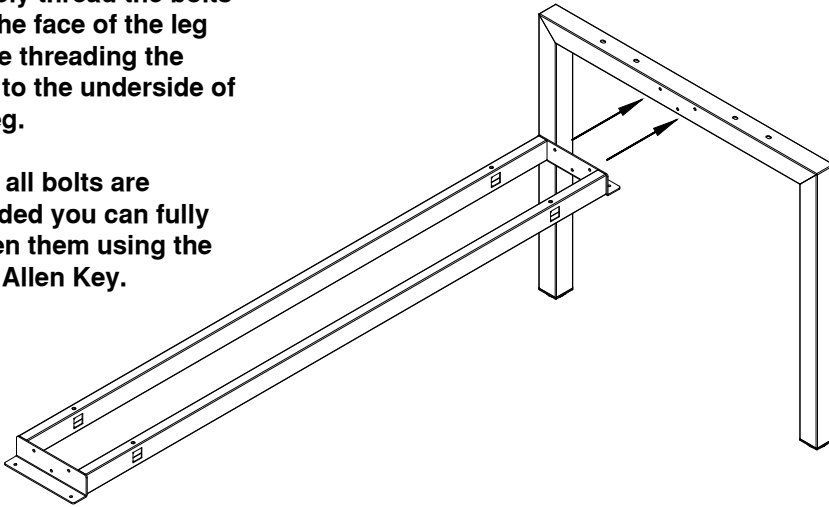
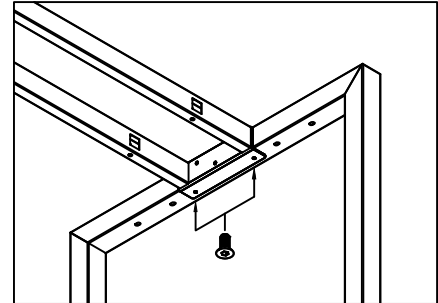
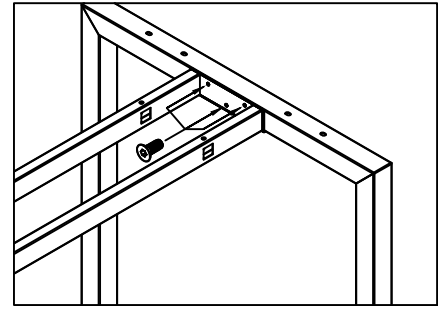
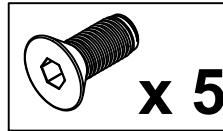
1

**Step 1**

Attach the first beam to the end leg using the M6 bolts provided.

Loosely thread the bolts into the face of the leg before threading the bolts to the underside of the leg.

Once all bolts are threaded you can fully tighten them using the 4mm Allen Key.



If you are assembling this as part of a larger configuration please refer to the intermediate leg frame assembly instructions before proceeding with the next steps.

2

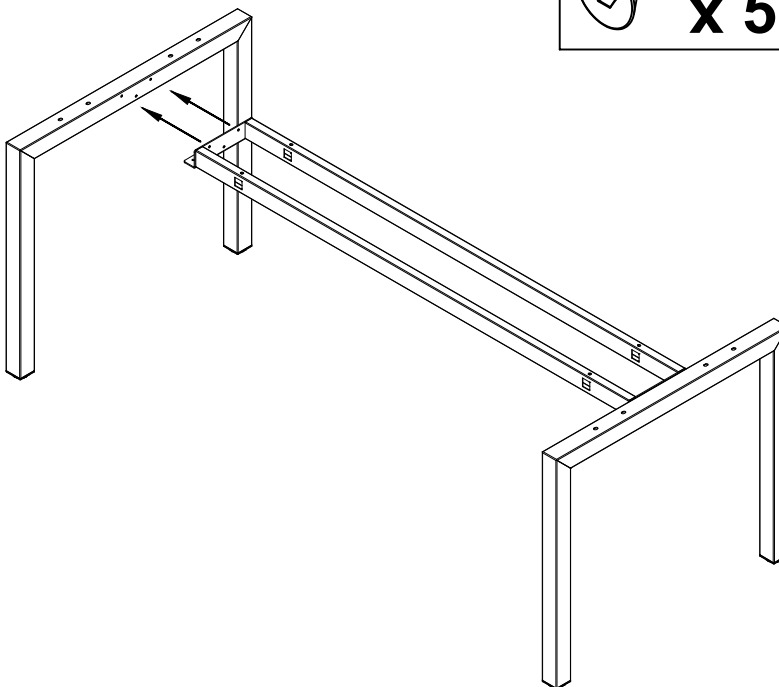
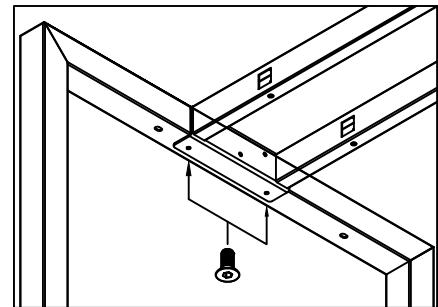
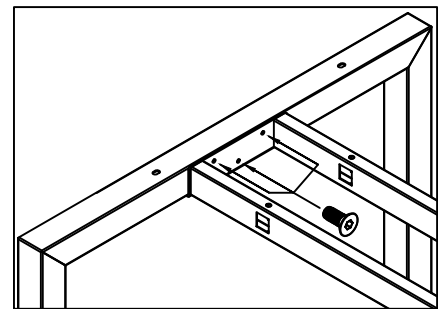
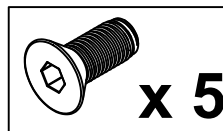
**Step 2**

Attach the remaining outer leg frame using the same method as before.

Attach the beams to the end leg using the M6 bolts provided.

Loosely thread the bolts into the face of the leg before threading the bolts to the underside of the leg.

Once all bolts are threaded you can fully tighten them using the 4mm Allen Key.





If horizontal cable management is being added please refer to the single cable tray assembly instruction before proceeding with the next steps.

This will make the installation process much easier then trying to install the cable trays once the desktops are attached.

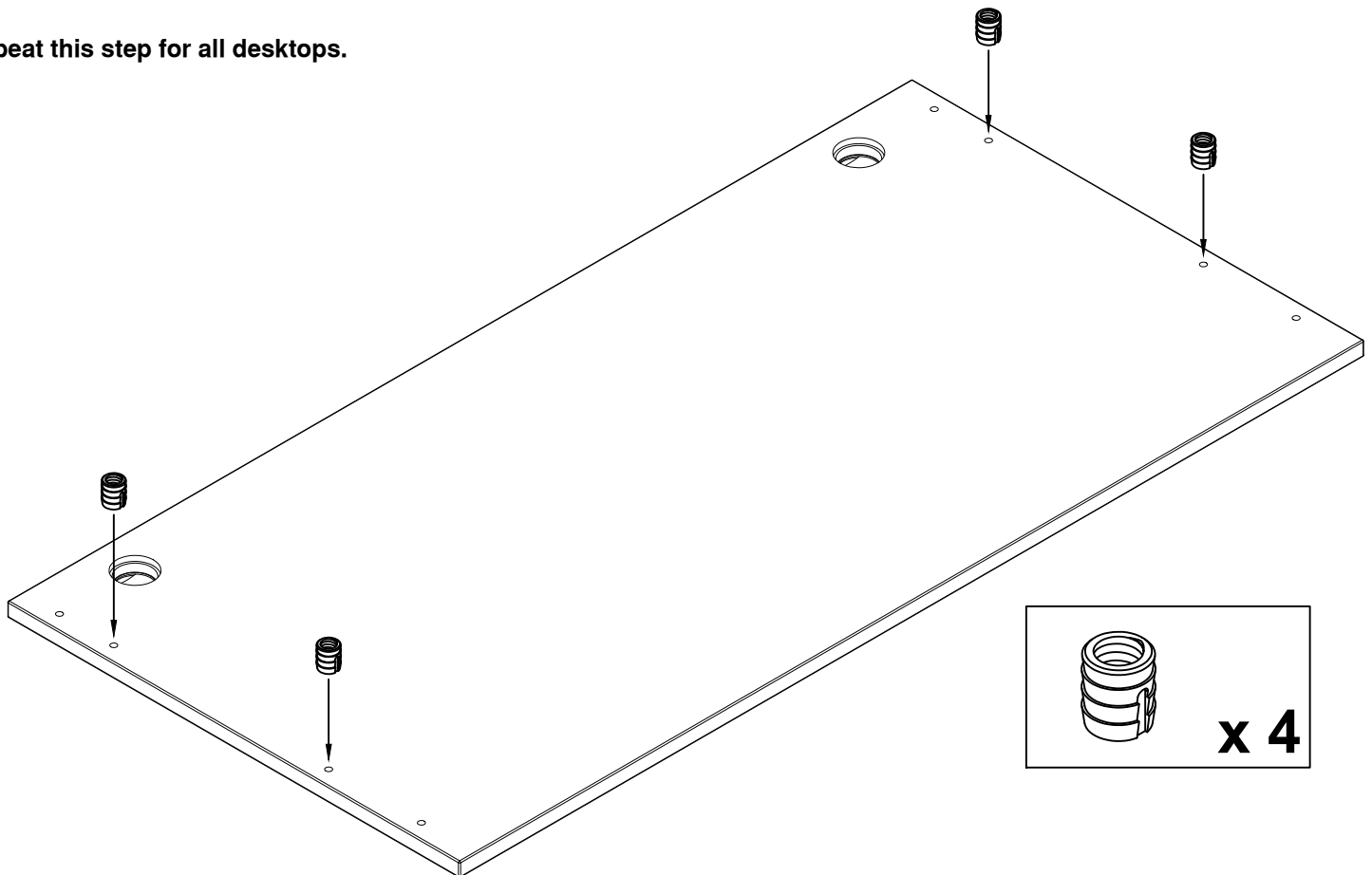
3

**Step 3**

Insert the nylon inserts into the pre drilled holes on the underside of the desktop.

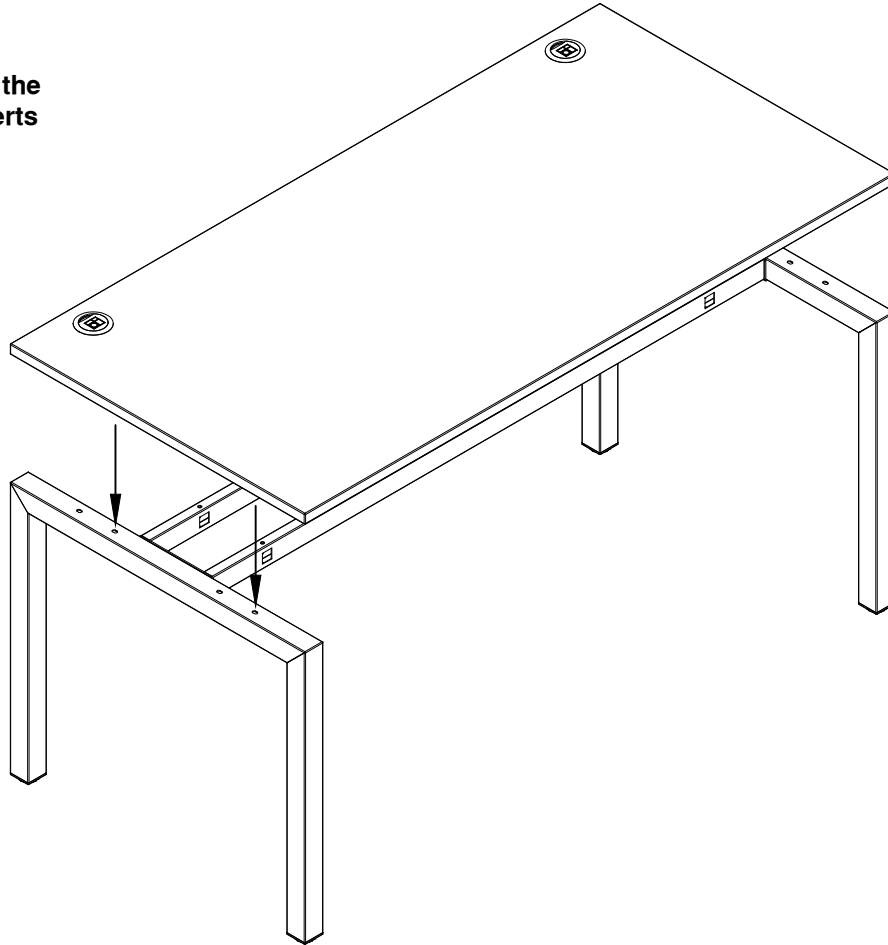
The illustration below shows which pre drilled holes should be used.

Repeat this step for all desktops.



4

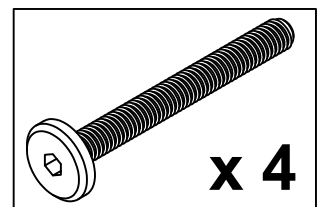
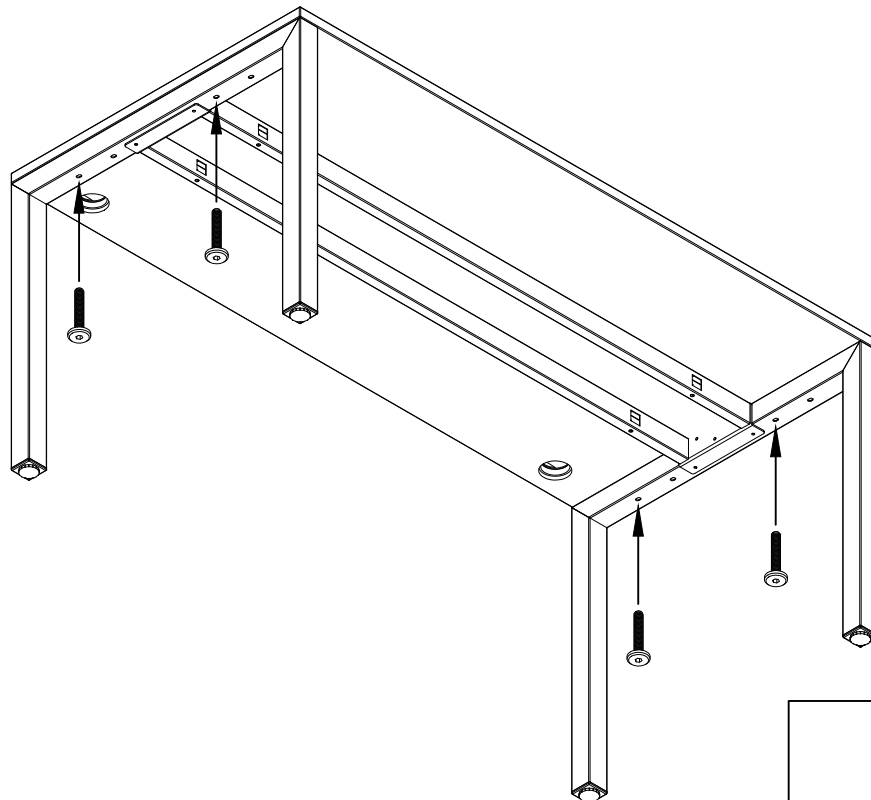
**Step 4**  
Position the first desktop on the frame aligning the nylon inserts with the slotted holes .



5

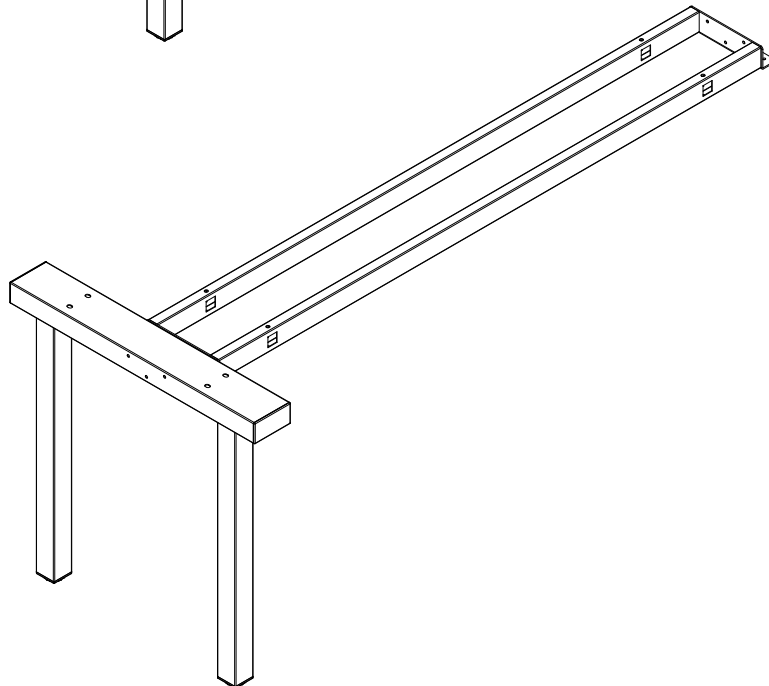
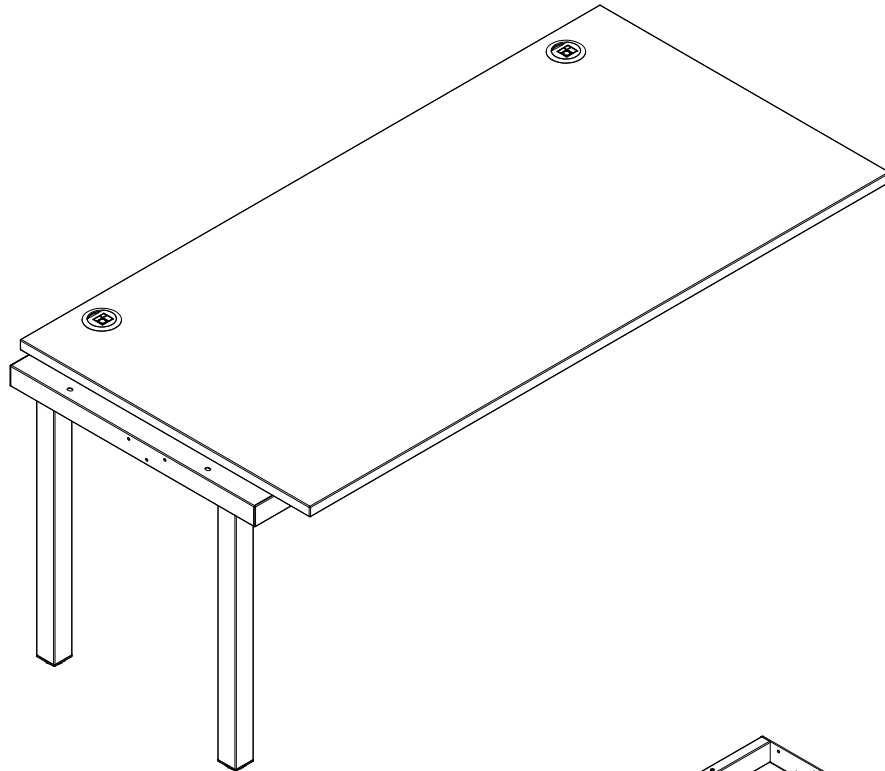
**Step 5**  
Attach the desktop using the 60mm connect bolts as shown.

Loosely thread all the bolts to ensure that no bolts become cross threaded before fully tightening.

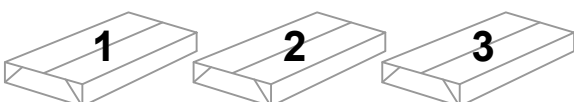


# COU800IL

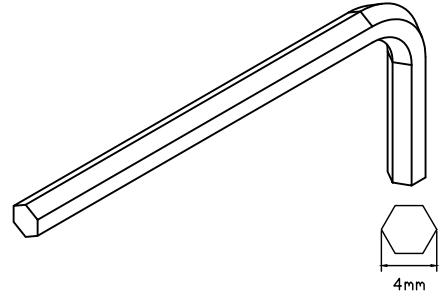
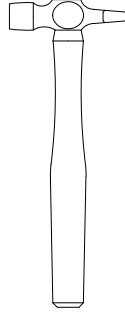
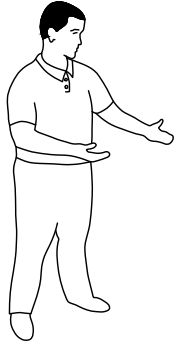
## Connex 800mm Intermediate Leg Frame



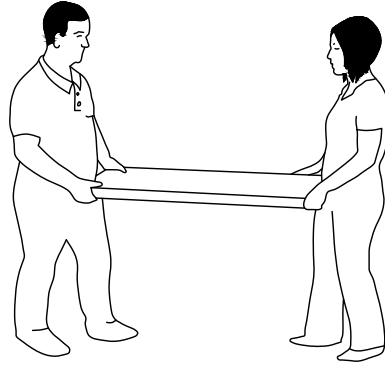
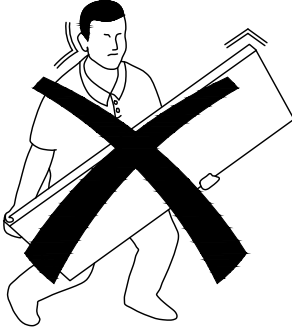
**This assembly instruction is to be used in conjunction with COU800OL instruction.**



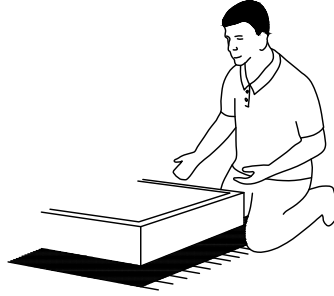
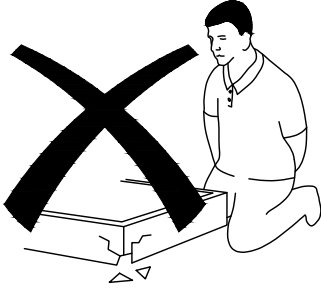
**TOOLS REQUIRED  
FOR ASSEMBLY**



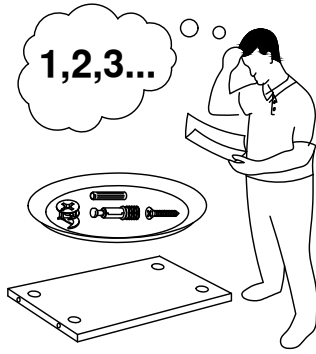
**DONT STRUGGLE  
2 MAN LIFT**



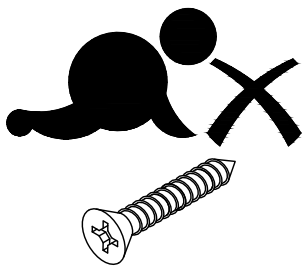
**ALWAYS HANDLE  
ITEMS WITH CARE**



**IF UNSURE CALL  
FOR ASSISTANCE**



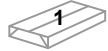
**KEEP FITTINGS AWAY  
FROM CHILDREN**



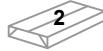
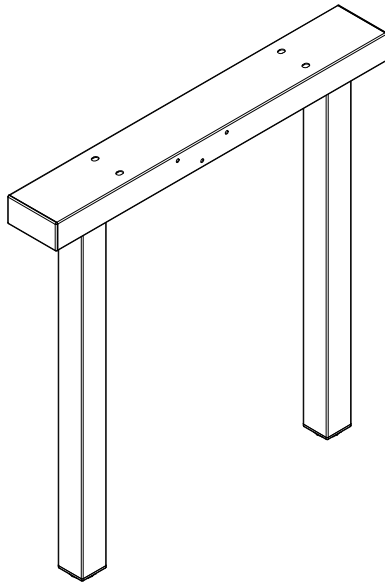




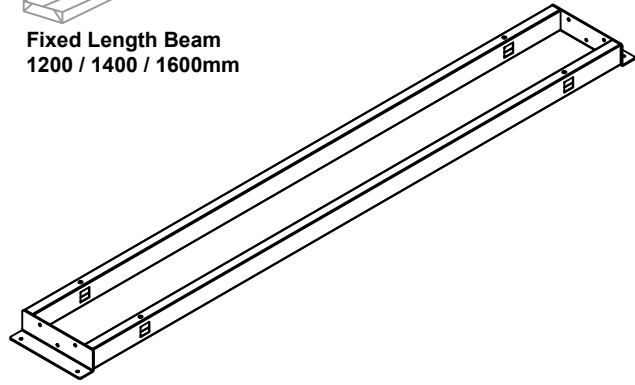
# Please check that you have all the Components!



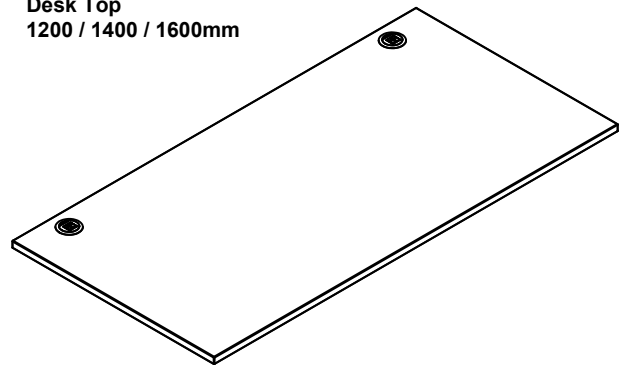
800mm Intermediate Leg Frame



Fixed Length Beam  
1200 / 1400 / 1600mm



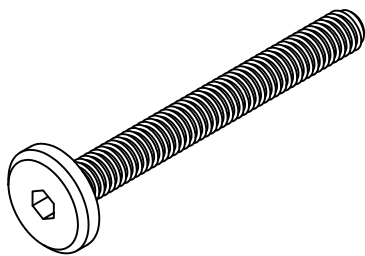
Desk Top  
1200 / 1400 / 1600mm



# Please check that you have all the Fittings! (Fittings supplied with leg frames)



800mm Intermediate Leg Frame



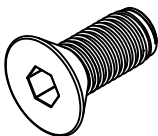
**x 4**

**M6x60mm Connect Bolt**



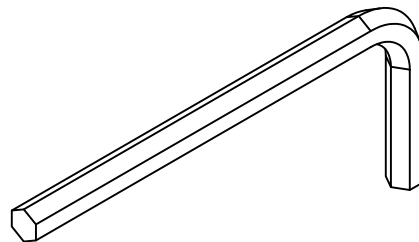
**x 4**

**M6 Nylon Insert**



**x 10**

**M6x10mm Countersunk Bolt**



**4mm Allen Key**



This assembly instruction continues from the steps you have so far completed from the ED800OL instruction sheet.

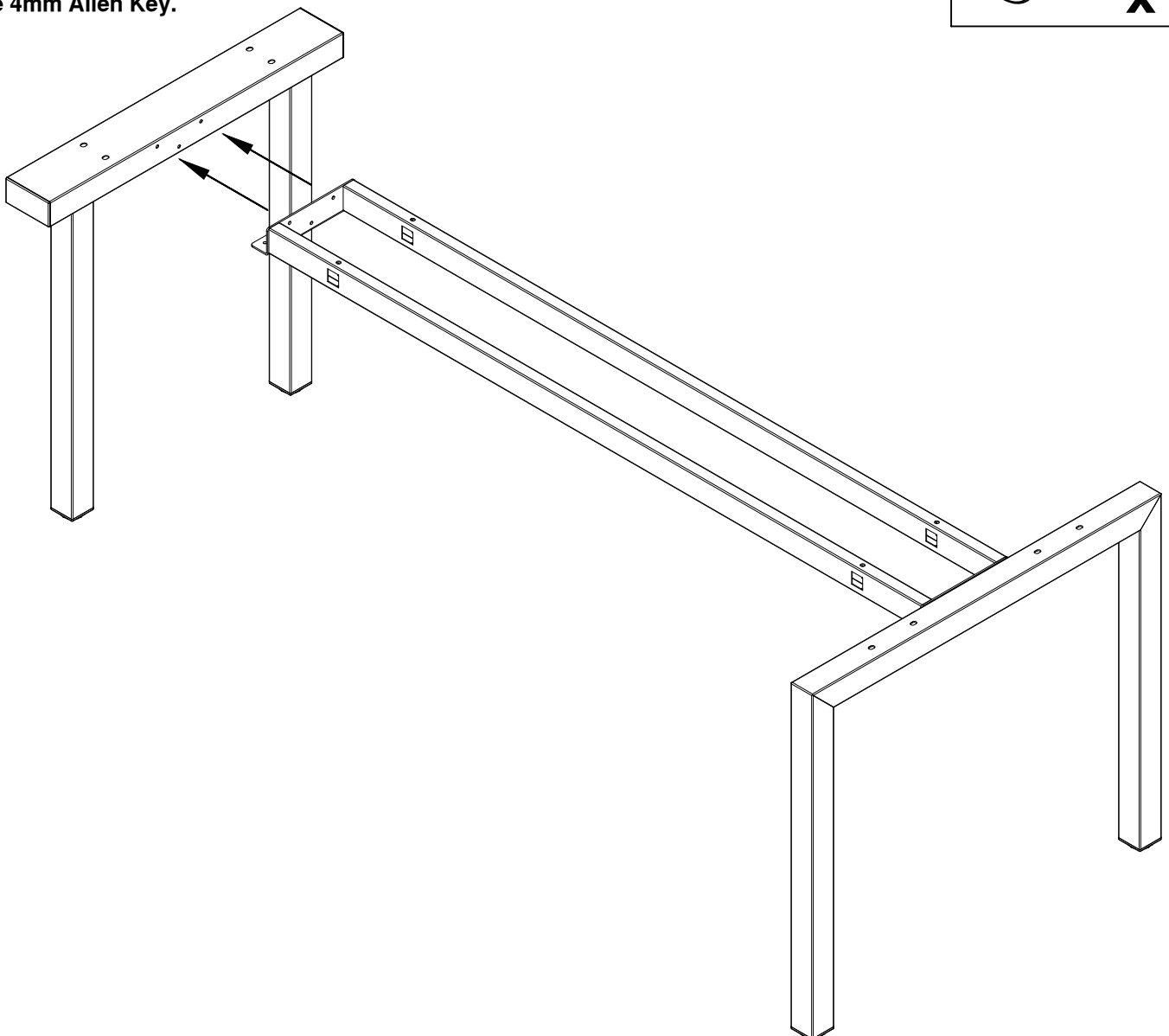
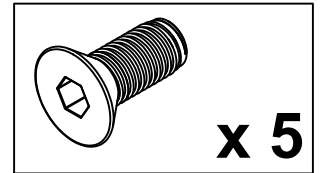
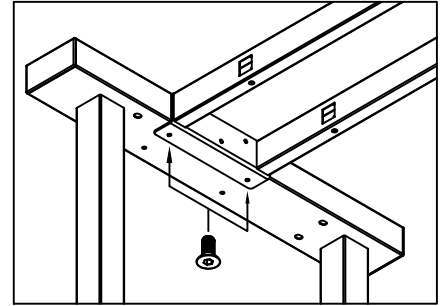
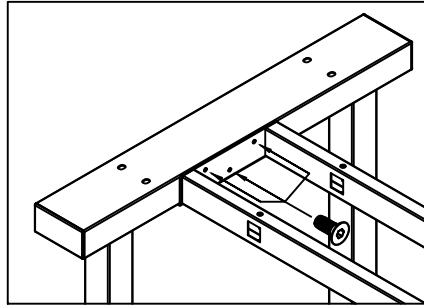
3

**Step 3**  
Attach the intermediate leg frame using the same method as before.

Attach the beams to the leg using the M6 bolts provided.

Loosely thread the bolts into the face of the leg before threading the bolts to the underside of the leg.

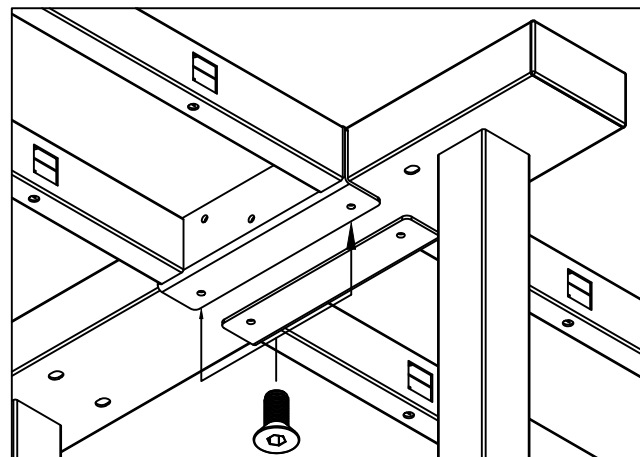
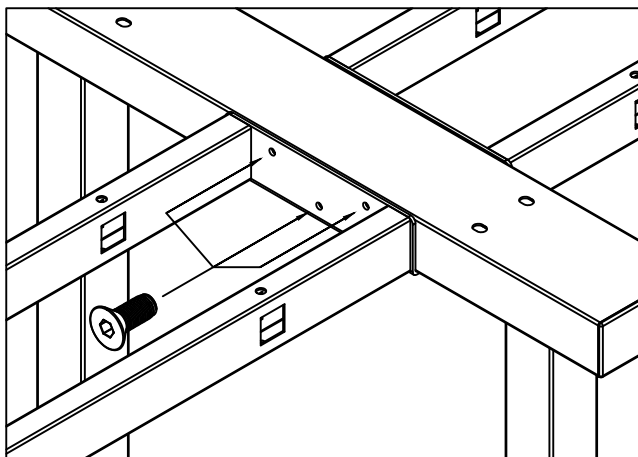
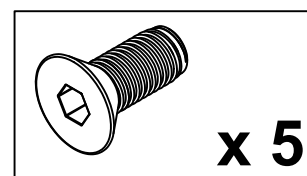
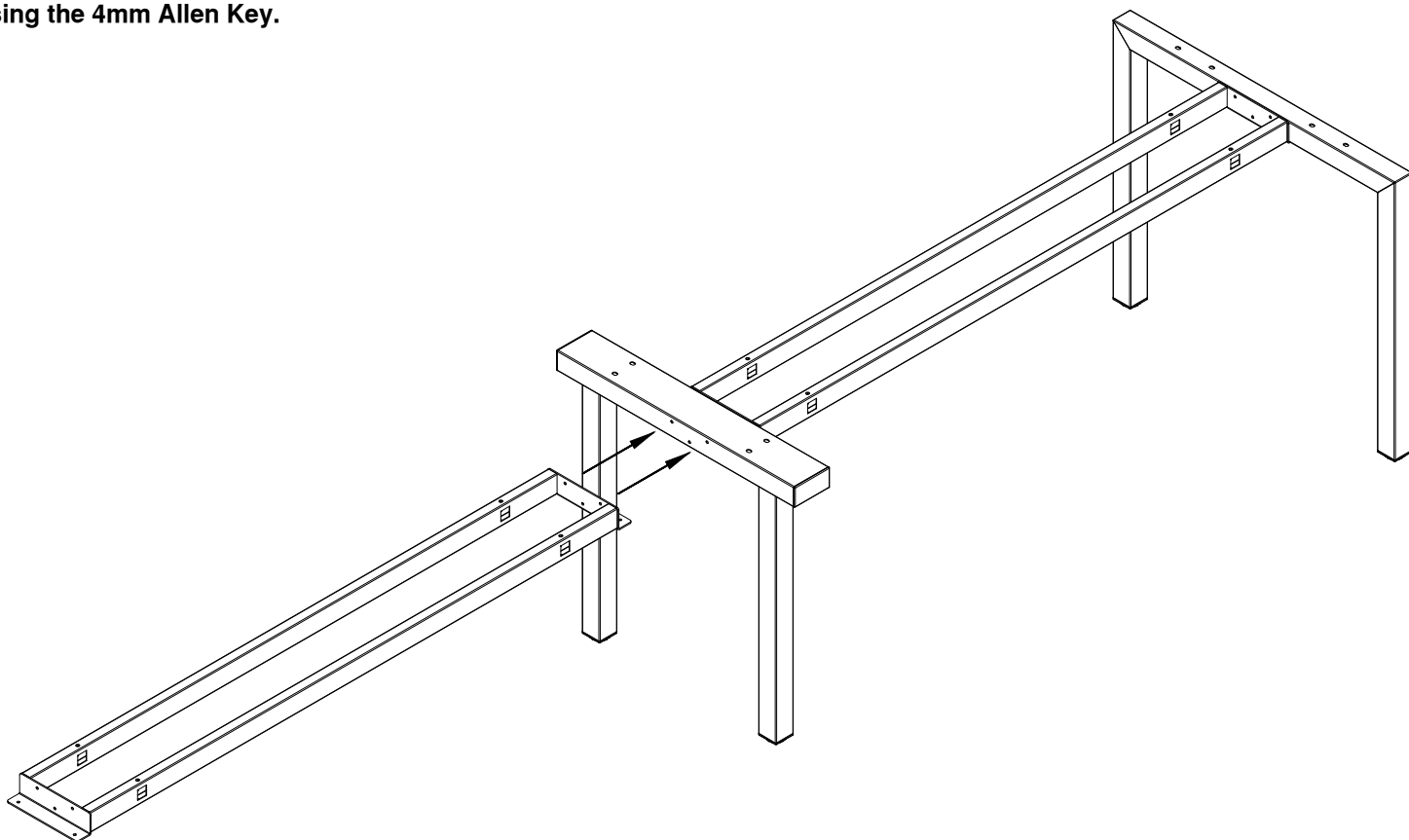
Once all bolts are threaded you can fully tighten them using the 4mm Allen Key.



**Step 4**  
Attach the second beam to the intermediate leg using the M6 bolts provided.

Loosely thread the bolts into the face of the leg before threading the bolts to the underside of the leg.

Once all bolts are threaded you can fully tighten them using the 4mm Allen Key.

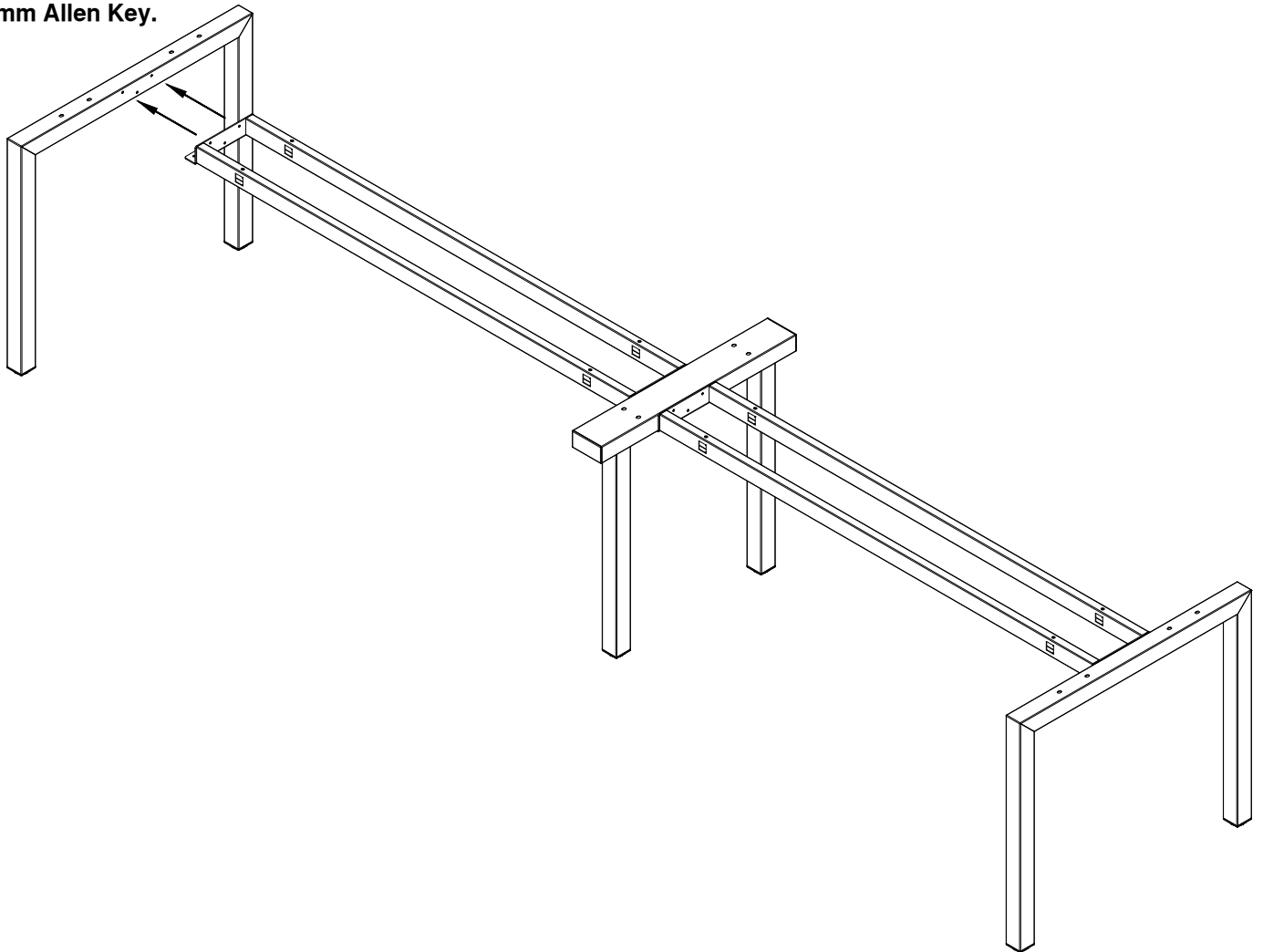
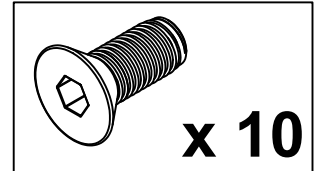
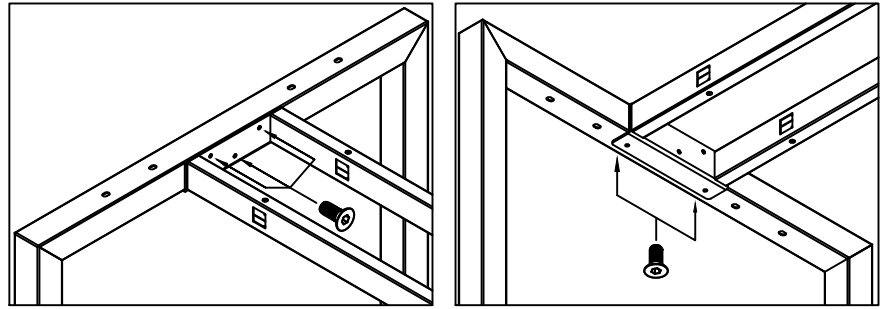


**Step 5**  
**Attach the remaining outer leg**  
 frame using the same method  
 as before.

**Attach the beams to the end**  
 leg using the M6 bolts  
 provided.

**Loosely thread the bolts into**  
 the face of the leg before  
 threading the bolts to the  
 underside of the leg.

**Once all bolts are threaded**  
 you can fully tighten them  
 using the 4mm Allen Key.



**If horizontal cable management is being added please refer to the single cable tray assembly instruction before proceeding with the next steps.**

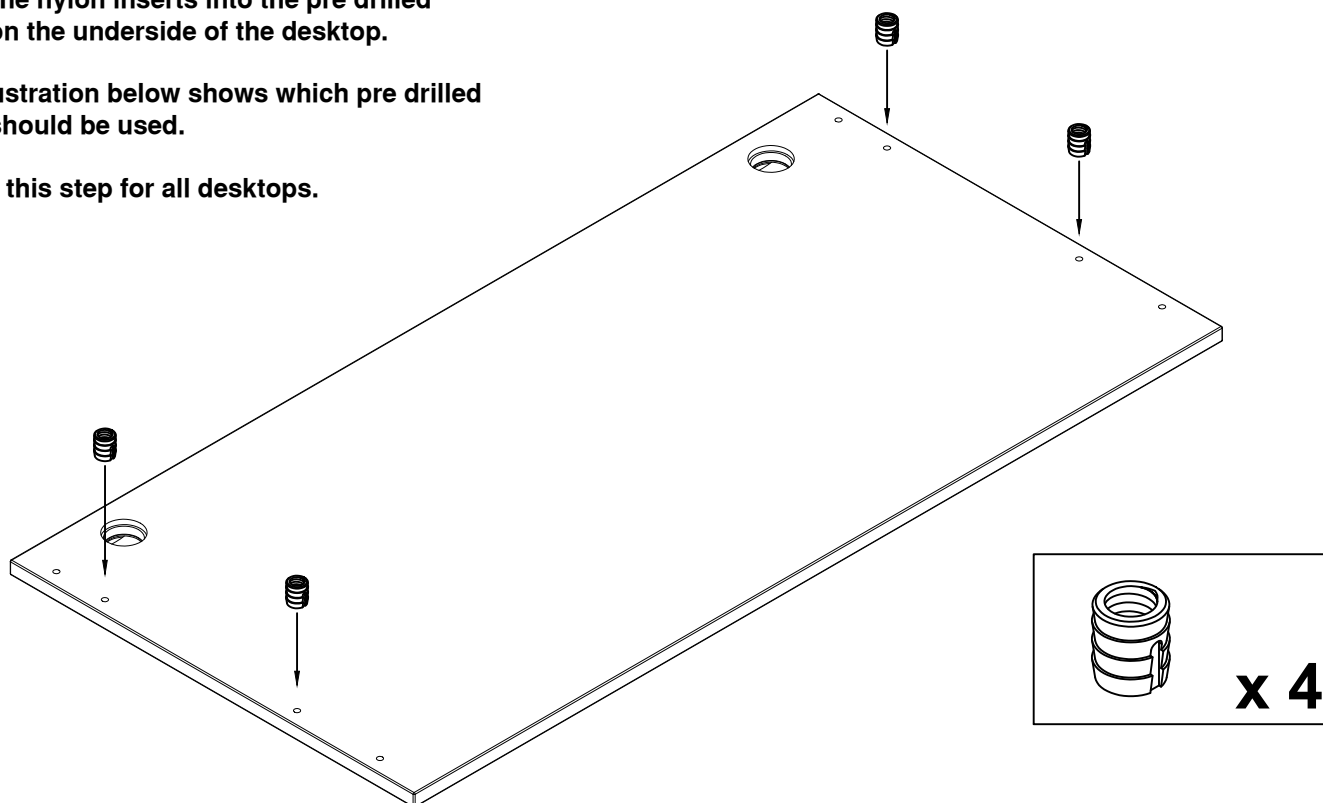
**This will make the installation process much easier than trying to install the cable trays once the desktops are attached.**

**Step 6**

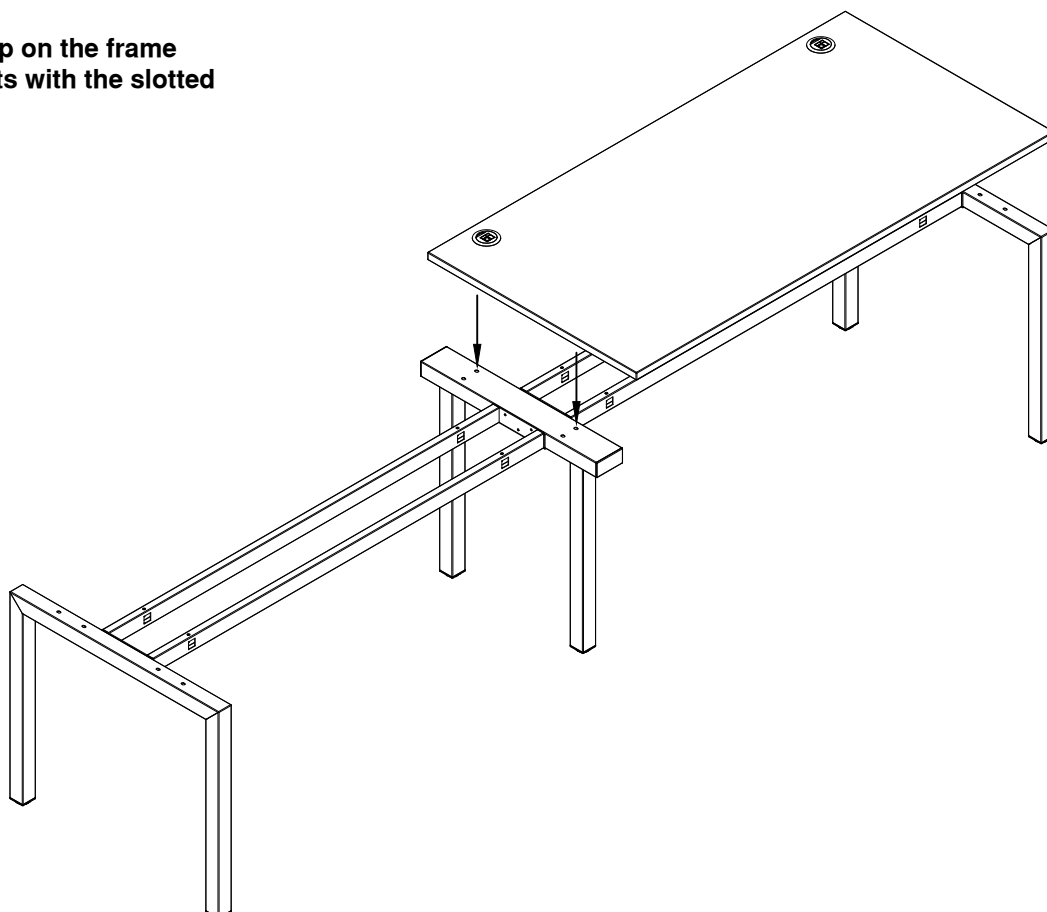
Insert the nylon inserts into the pre drilled holes on the underside of the desktop.

The illustration below shows which pre drilled holes should be used.

Repeat this step for all desktops.

**Step 7**

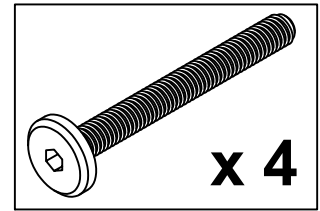
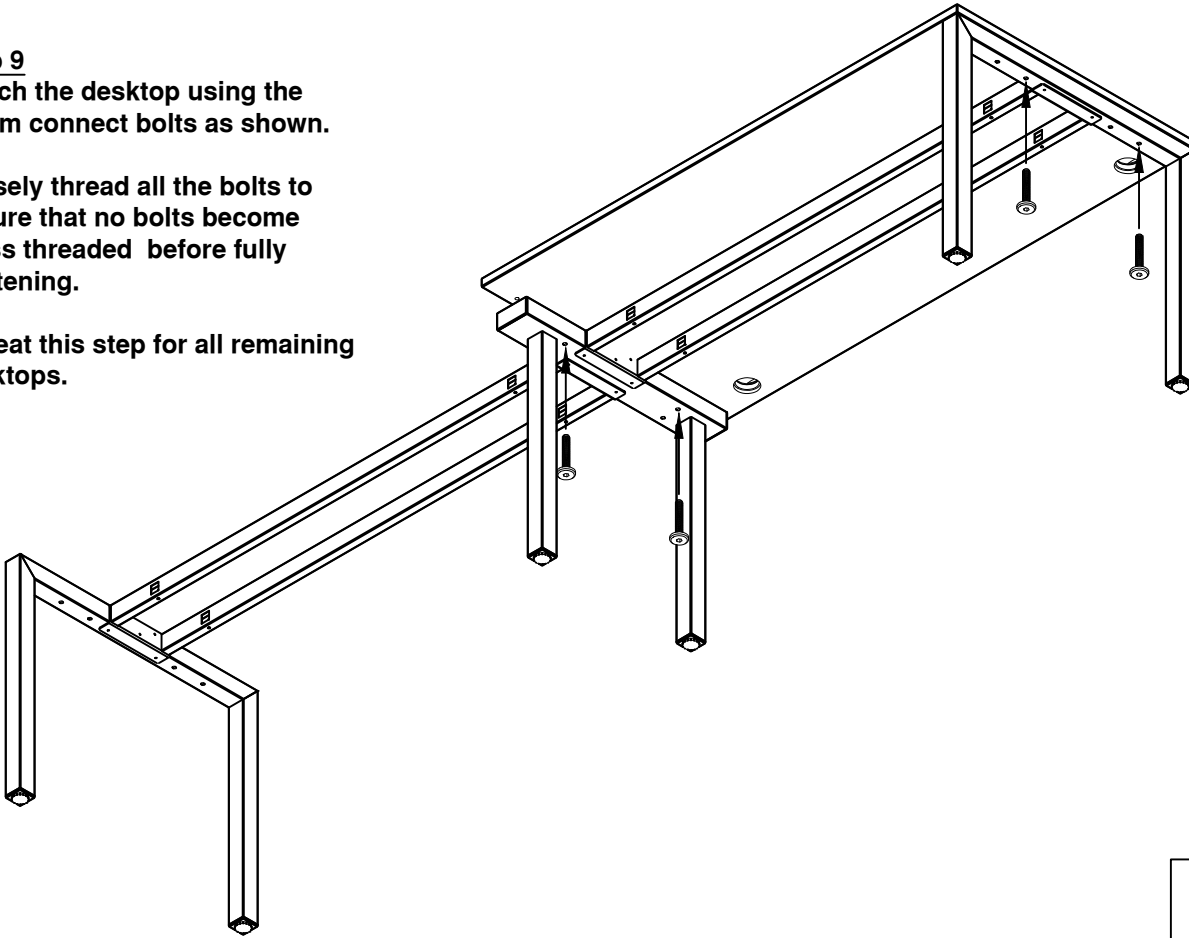
Position the first desktop on the frame aligning the nylon inserts with the slotted holes.



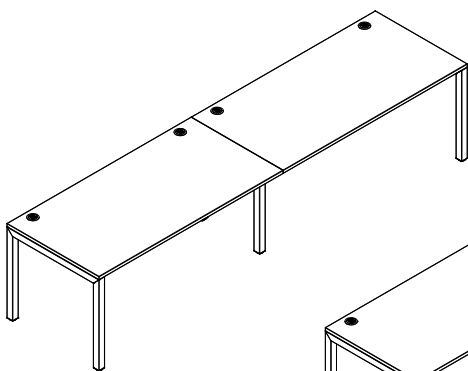
**Step 9**  
 Attach the desktop using the  
 60mm connect bolts as shown.

Loosely thread all the bolts to  
 ensure that no bolts become  
 cross threaded before fully  
 tightening.

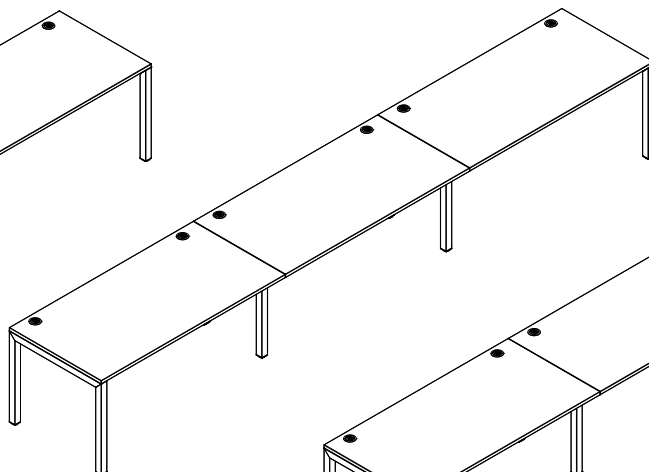
Repeat this step for all remaining  
 desktops.



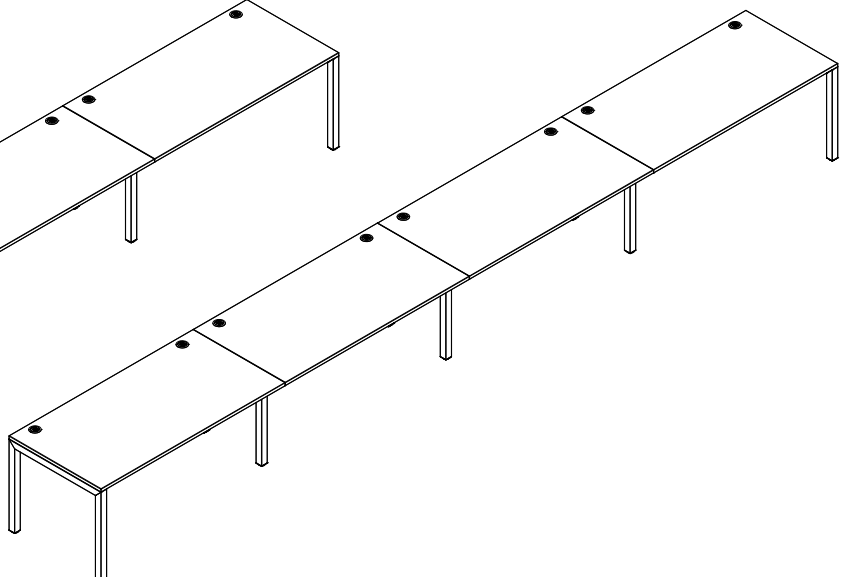
This assembly instruction illustrates how to assemble a 2 person configuration. For larger configurations repeat steps 3 - 9 for each add on bay you would like to add.



**2 Person**



**3 Person**



**4 Person**